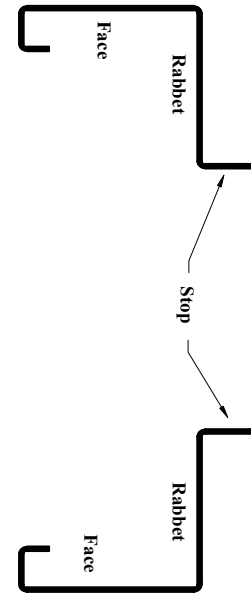
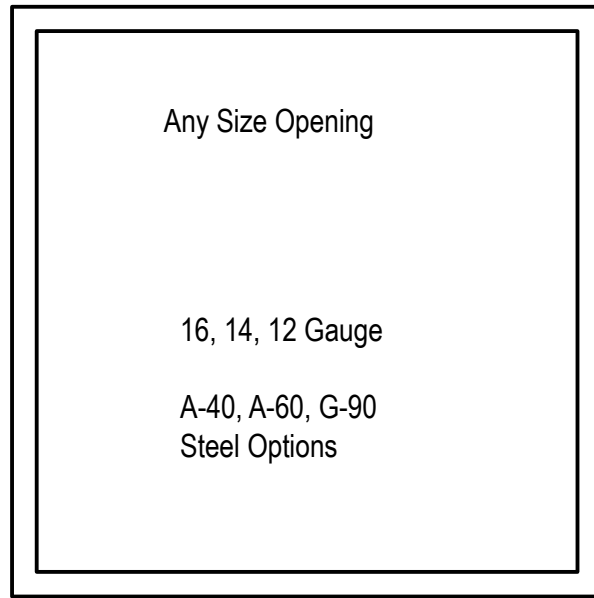
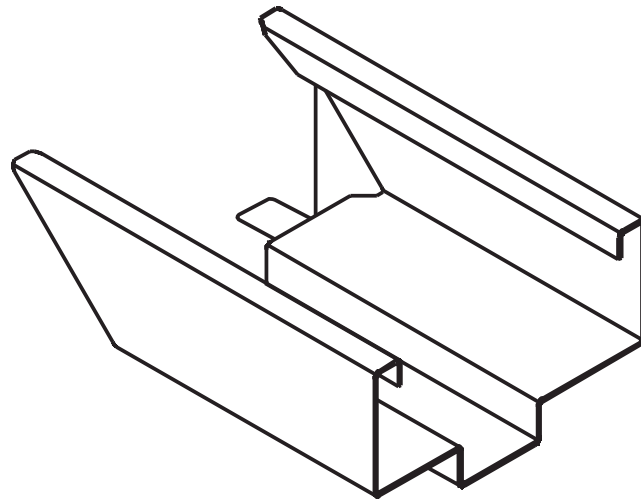
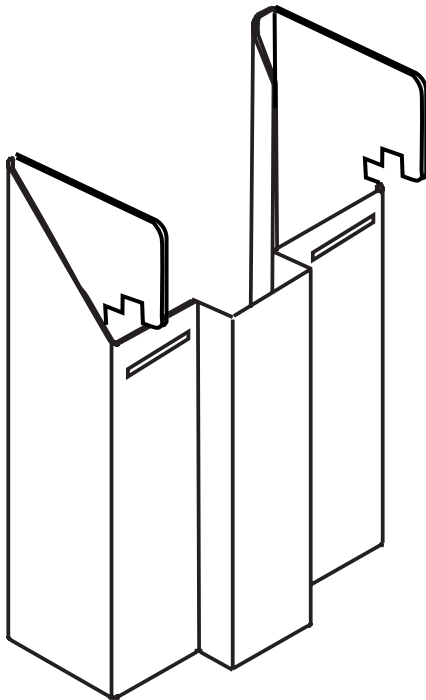


Min 3/4" to Max 12" Face

No Hinge
or Strike



KD Borrowed Lite




Equal Rabbet Profile and Glazing Bead
5/8" x 5/8" Standard

Custom Profile and Bead options also Available

Miter Corners on JR Metal Frames KD Frame are of
a Tab and Slot design

They lock together and tighten down with the
tightening of the anchor screw.

both Tab and Slot come pre-made at our factory.

 <small>MANUFACTURERS OF STANDARD AND CUSTOM HOLLOW METAL FRAMES AND DOORS</small> <small>287 Oakland Road, Belgrade, Maine 04917 USA Office 207-465-9066 Fax: 207-465-9452</small>			
QUALITY SINCE 1981	Title: KD Borrowed Lite		
	Revision:	Revision Date:	Drawing Number:
Original Date:	Scale: Full Sized		Sheet: of
Drawn By:			