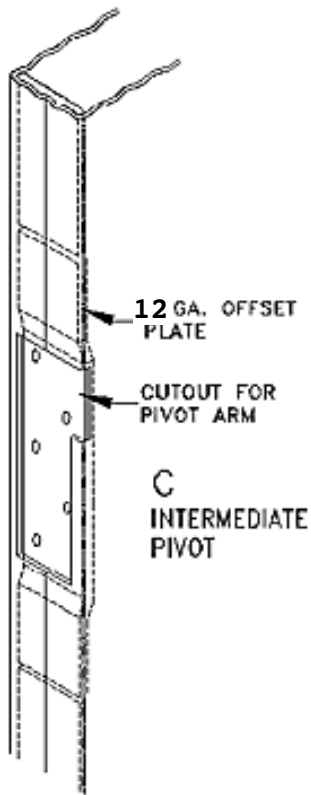
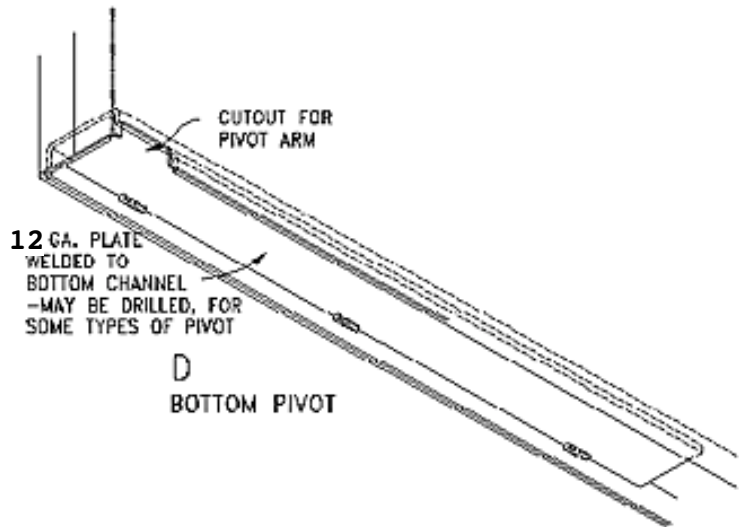



TOP PIVOT



INTERMEDIATE PIVOT



BOTTOM PIVOT

 <p>MANUFACTURERS OF STANDARD AND CUSTOM HOLLOW METAL FRAMES AND DOORS 287 Oakland Road, Belgrade, Maine 04917 USA Office 207-465-9066 Fax: 207-465-9452</p>			
<b>QUALITY SINCE 1981</b>	Title: <b>Pivot's</b>		
	Revision:	Revision Date: <b>1-15-13</b>	Drawing Number:
Original Date:	Drawn By: <b>Dave</b>		Sheet: <b>36 of 55</b>
Scale:			