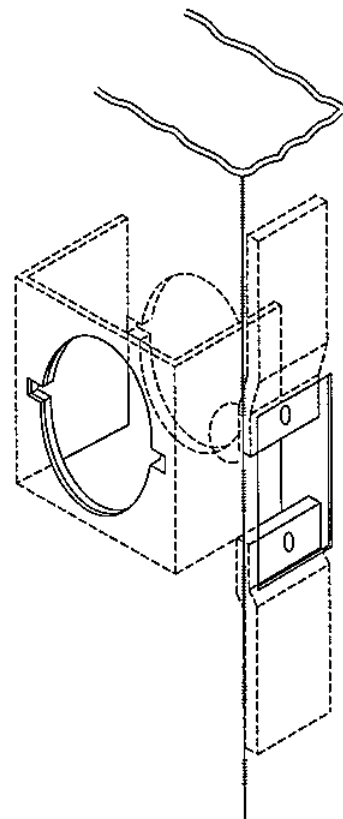
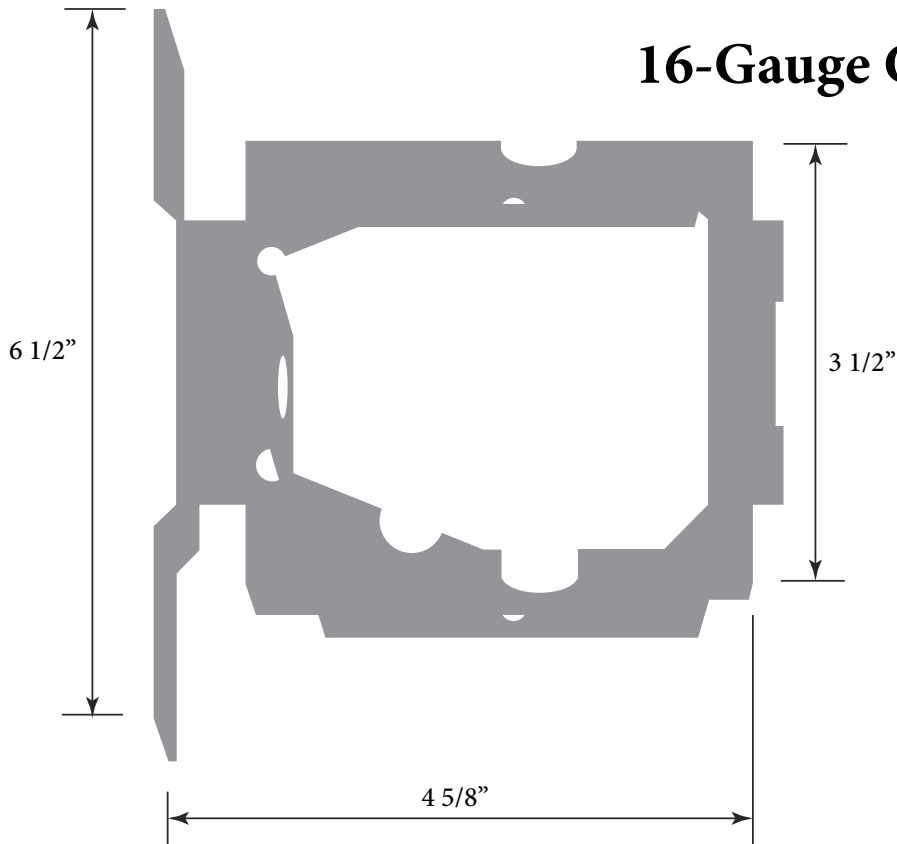



**Lock box manufactured
by Dayton Industries, Inc.
Part #CLB-BV-P 158E**

16-Gauge Galvanized Steel



CYLINDRICAL LOCK

 <p>MANUFACTURERS OF STANDARD AND CUSTOM HOLLOW METAL FRAMES AND DOORS 287 Oakland Road, Belgrade, Maine 04917 USA Office 207-465-9066 Fax: 207-465-9452</p>			
QUALITY SINCE 1981	Title: Cylindrical Lock Reinforcement		
	Revision: #2	Revision Date: 11-07-07	Drawing Number: DD0008
Original Date: 09-26-07	Scale: Do not scale this drawing		Sheet: 10 of 55